



*"Pool Technology"*

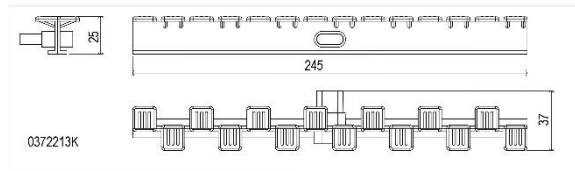
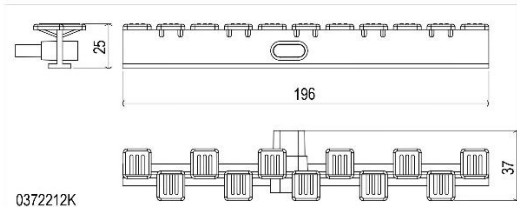
## GEMAS OVERFLOW GRATINGS TECHNICAL DATA SHEETS



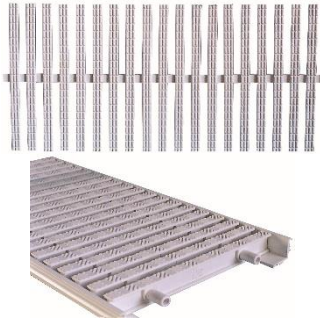
### MODEL GEMAS SQUARE OVERFLOW GRATINGS

Made of PP plastic, modular with single or two joints, each tile 6 units with joint for bends I shaped profile, produced according to ISO EN 13451 standards.

Description	Code	Pcs/Box	Weight (kg)	Volume (m <sup>3</sup> )
Model Square Single Joint Width: 20 cm Height:25mm	0372212K	10m	13,000	0,062
Clasical Design Single Joint Width: 25 cm Height:25mm	0372213K	10 m	13,500	0,062



*"Pool Technology"*

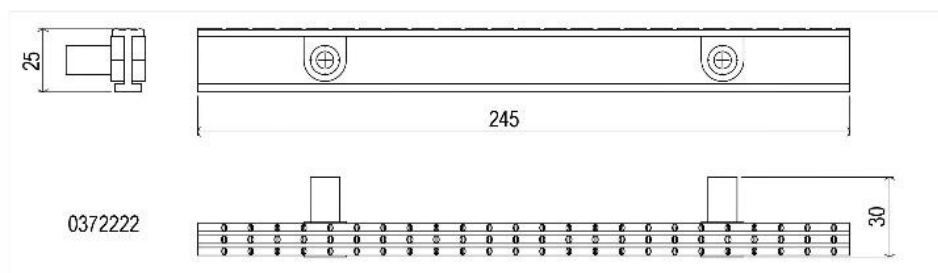


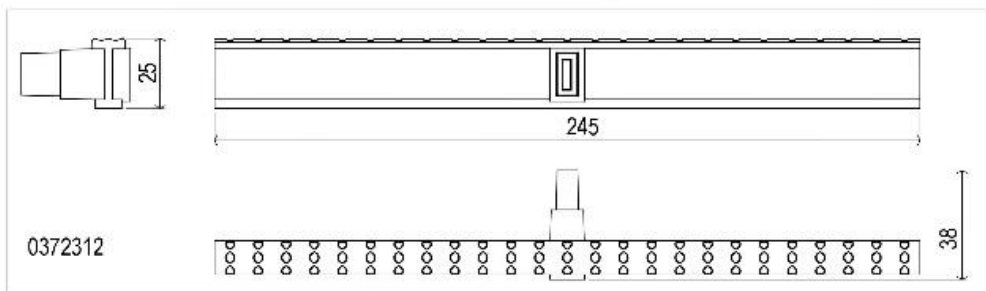
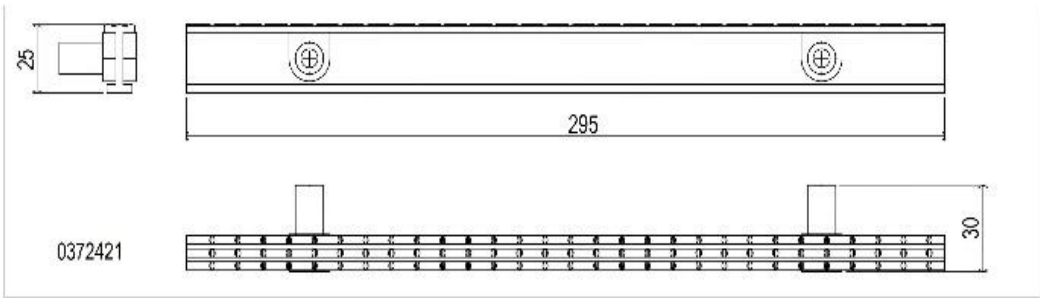
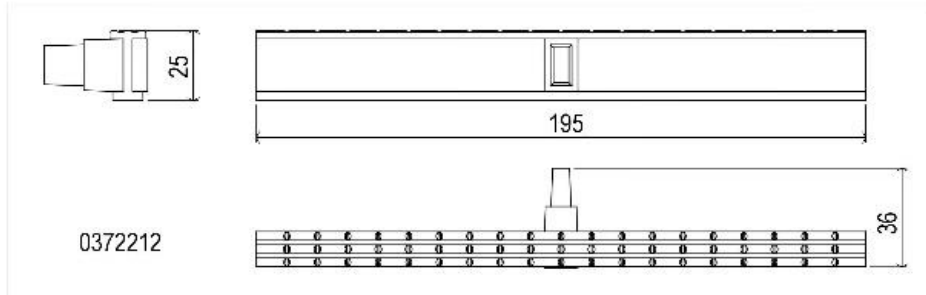
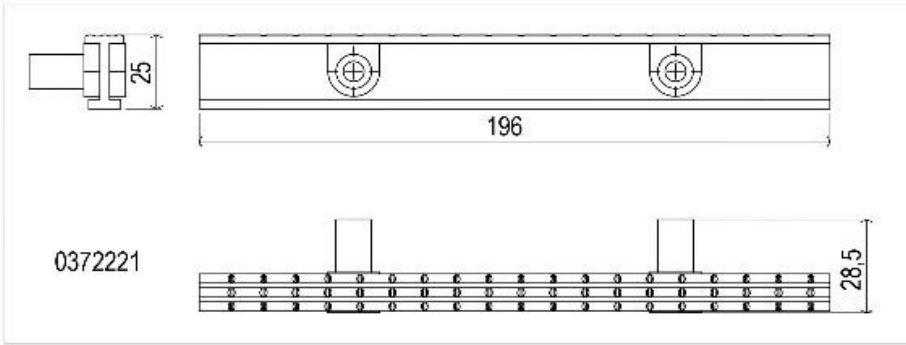
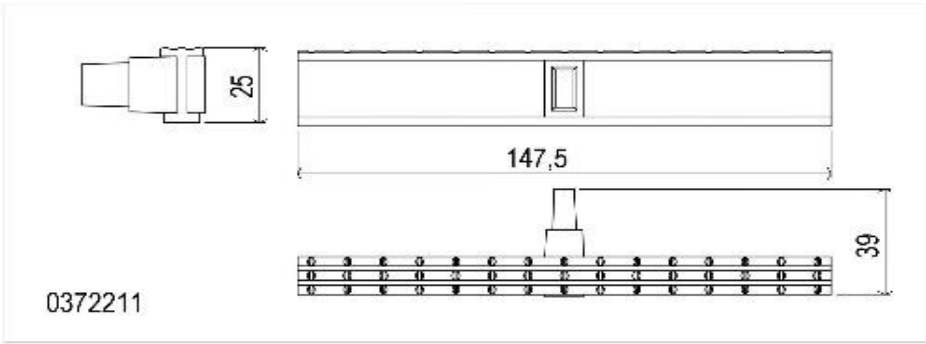
## MODEL GEMAS “MODEL 2001” OVERFLOW GRATINGS

Made of PP plastic, modular with single or two joints, L shaped profile, produced according to ISO EN 13451 standards.

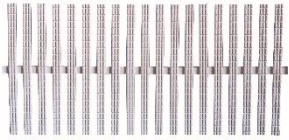
Description	Code	Pcs/Box	Weight (kg)	Volume (m <sup>3</sup> )
Clasical Design Double Joint Width: 20 cm Height:25mm	0372221	10 m	13,000	0,062
Clasical Design Double Joint Width: 25 cm Height:25mm	0372321	10 m	13,500	0,062
Clasical Design Double Joint Width: 30 cm Height:25mm	0372421	10 m	14,100	0,062
Clasical Design Single Joint Width: 15 cm Height:25mm	0372211	10 m	11,900	0,044
Clasical Design Single Joint Width: 20 cm Height:25mm	0372212	10 m	11,500	0,062
Clasical Design Single Joint Width: 25 cm Height:25mm	0372312	10m	13,100	0,062

### Drawings:





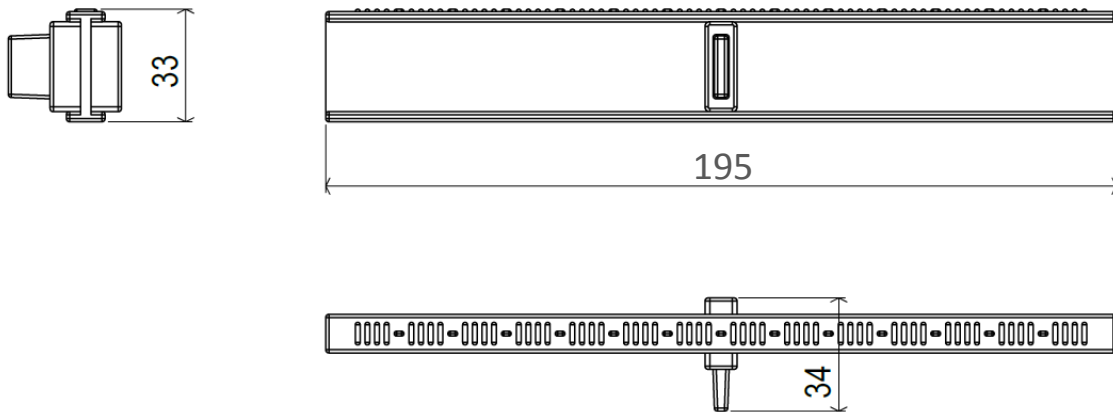
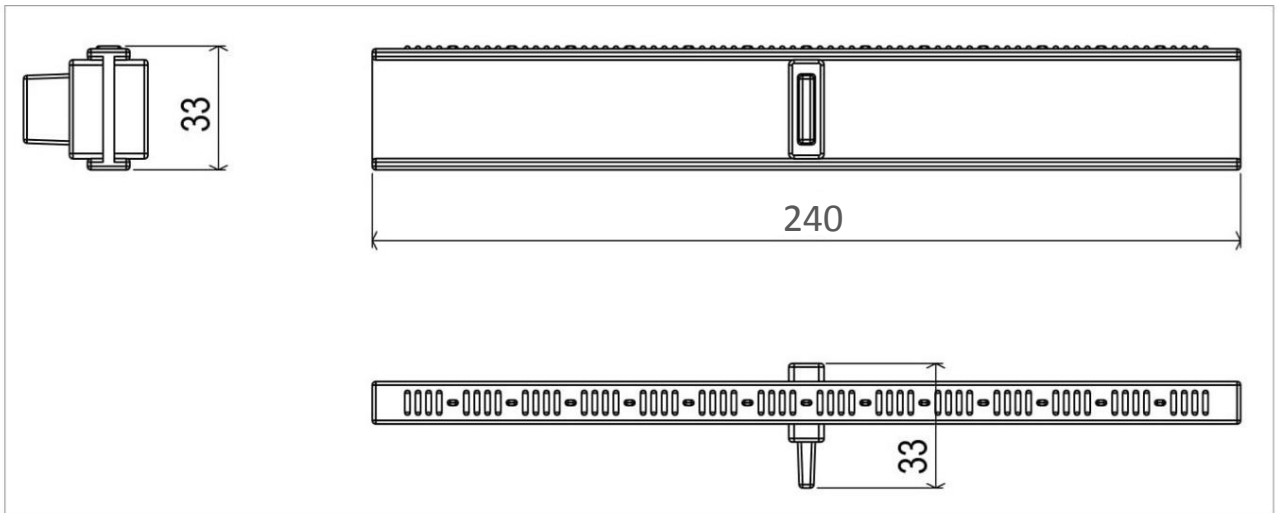
"Pool Technology"



## GEMAS “MODEL 2018” OVERFLOW GRATINGS

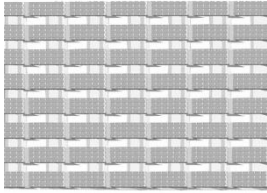
Made of PP plastic, modular with single joint, I shaped profile, produced according to ISO EN 13451 standards.

### Products Details:



Description	Code	Pcs/Box	Weight (kg)	Volume (m3)
Gemas 33 mm Height 25 cm Width Single Joint Overflow Gratings	0372332	5 m	11.400	0,062
Gemas 33 mm Height 20 cm Width Single Joint Overflow Gratings	0372232	5 m	11.016	0,062



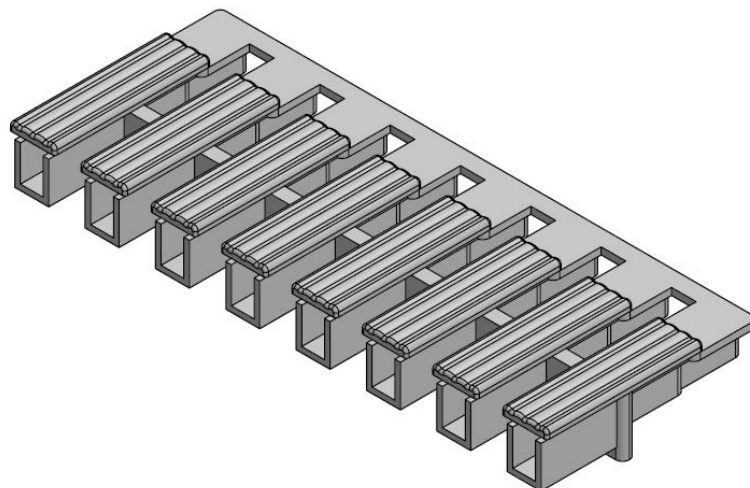
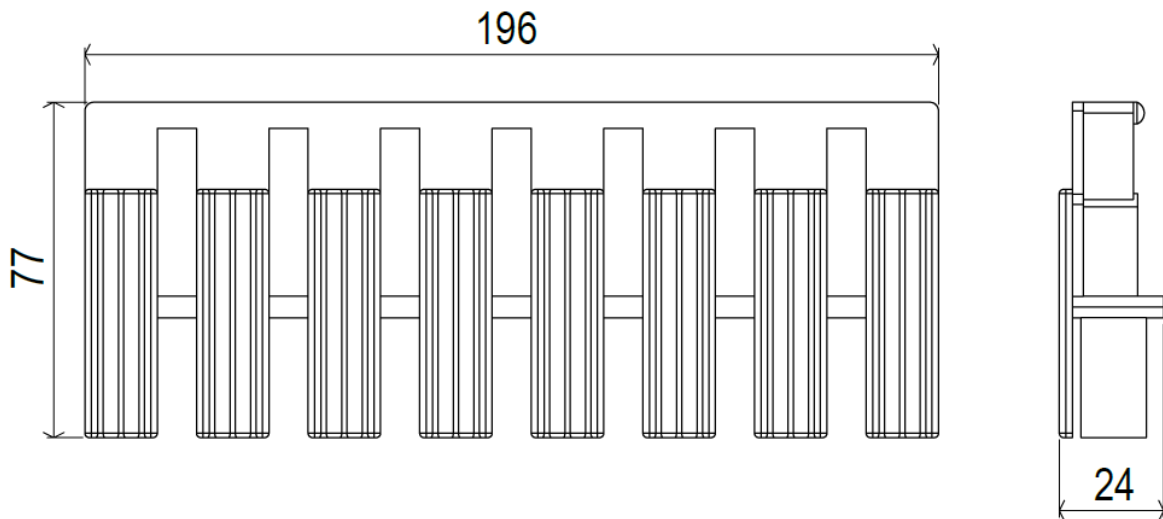


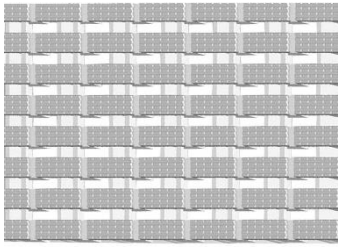
## “GEMAS-FUTURO” GRATINGS

Made of PP plastic, modular, plastic product. Adaptable for each kind of pools. Reflexive or quadrangle. Produced according to ISO EN 13451 standards.

Description	Code	Pcs/Box	Weight (kg)	Volume (m <sup>3</sup> )
“MODEL GEMAS-FUTURO” OVERFLOW GRATING Modular Plastic Width: 20 cm Height:24mm	037321K	10m	12,600	0,062

### Dimensions:



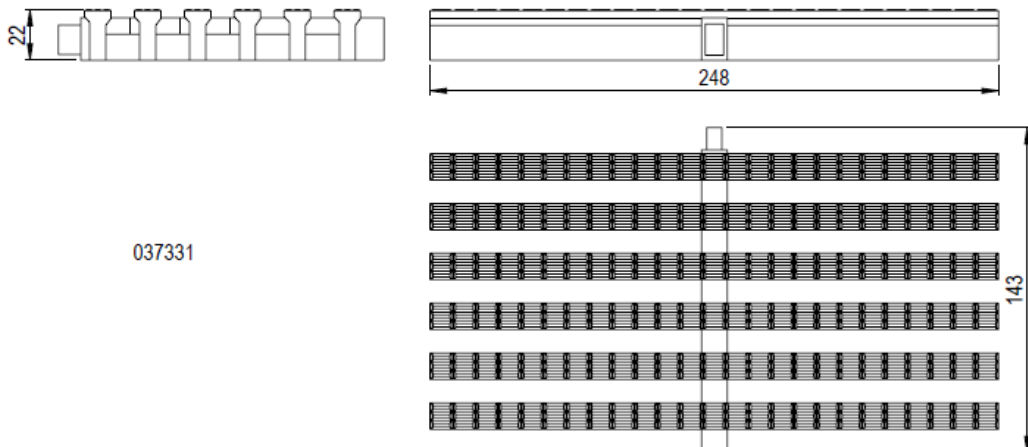
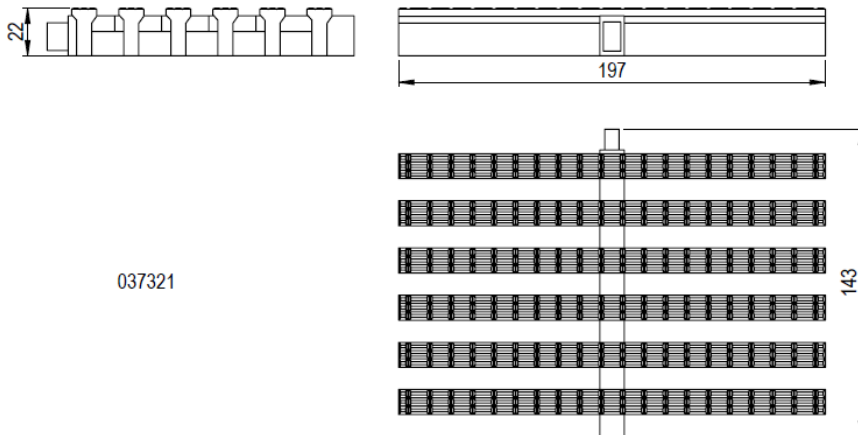


## GEMAS "MONOBLOCK" GRATINGS

Single Joint. Six pieces, "T" shaped plastics, grating height: 2,2 cm. Produced according to ISO EN 13451 standards.

Description	Code	Pcs/Box	Weight (kg)	Volume (m <sup>3</sup> )
"MONOBLOCK" Overflow Grating Width: 20 cm Height:22mm	037321	10m	11,700	0,062
"MONOBLOCK" Overflow Grating Width: 25 cm Height:22mm	037331	10 m	18,320	0,061

### Dimensions:

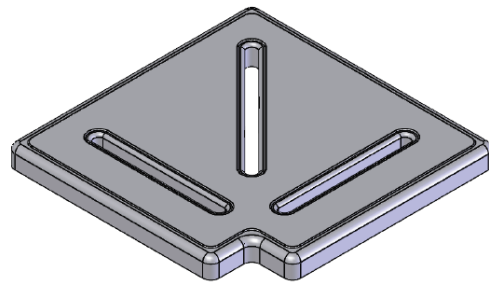
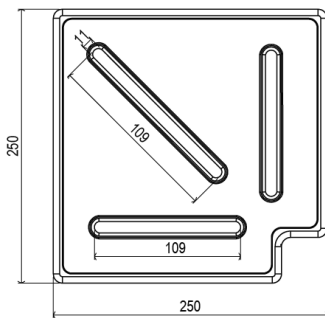


## GEMAS CORNER TILES FOR OVERFLOW GRATINGS

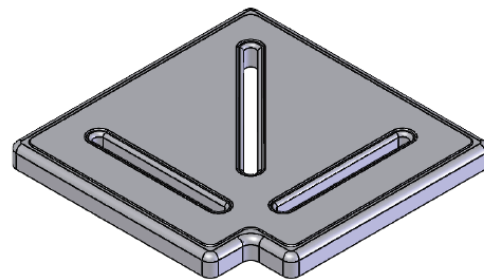
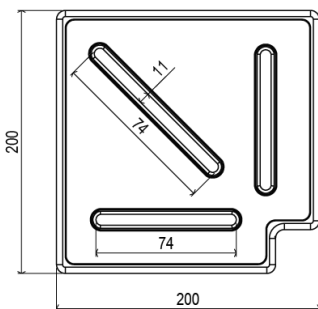


Corner Tile made of PP plastic for an angle of 90 Degrees.  
Produced according to ISO EN 13451 standards.

Description	Code	Pcs/Box	Weight (kg)	Volume (m <sup>3</sup> )
CORNER TILES 90° PLASTIC. 25 cm Height:25mm	037431	20 pcs	9,96	0,048
CORNER TILES 90° PLASTIC 20cm Height:25mm	037421	25 pcs	8,80	0,038
CORNER TILES 90° PLASTIC 15 cm Height:25mm	037411	20 pcs	4,438	0,019



**037431**



**037421**

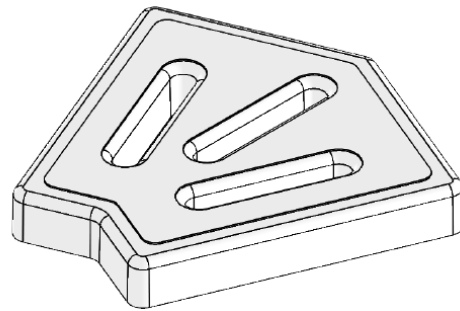
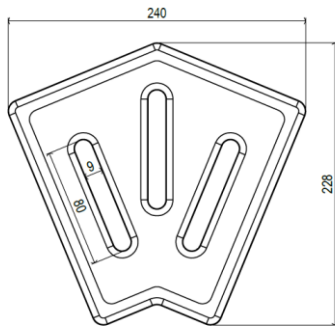


Corner Tile made of PP plastic for an angle of 90 Degrees. Produced according to ISO EN 13451 standards.

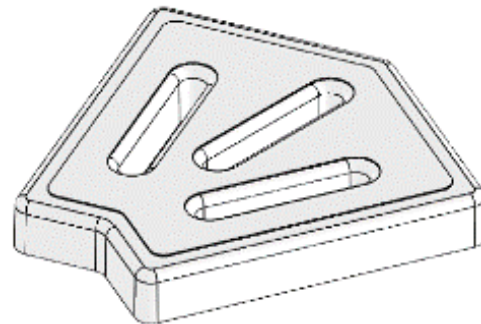
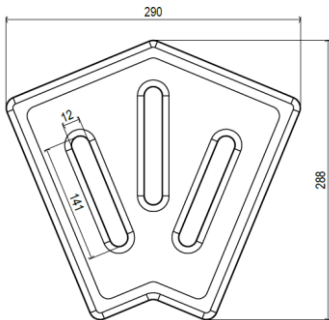


*"Pool Technology"*

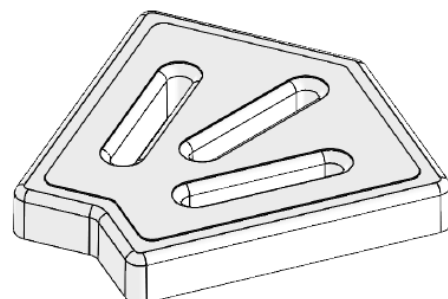
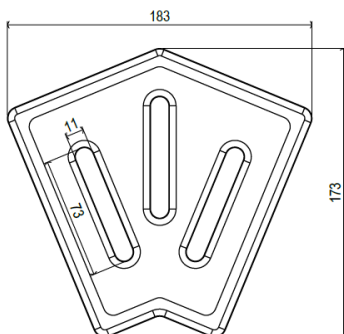
Description	Code	Pcs/Box	Weight (kg)	Volume (m <sup>3</sup> )
CORNER TILES 45° PLASTIC. 25 cm Height:25mm	037432	20 pcs	6,95	0,042
CORNER TILES 45° PLASTIC 20cm Height:25mm	037422	20 pcs	4,47	0,028
CORNER TILES 45° PLASTIC 15 cm Height:25mm	037412	10 pcs	1,636	0,008



**037422**



**037432**



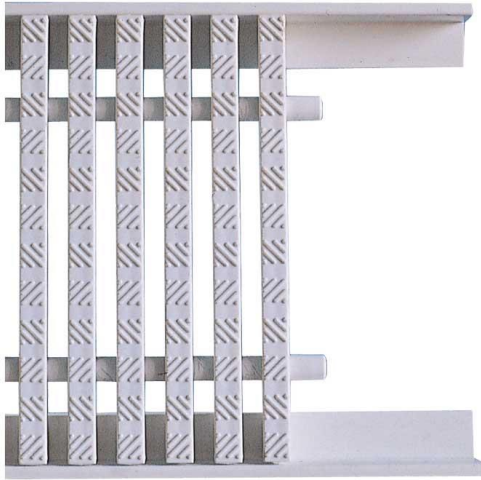
**037412**



*"Pool Technology"*



## GEMAS GRATING SUPPORT PROFILES



Grating support profile made in plastic. Produced according to ISO EN 13451 standards.

Description	Code	Pcs/Box	Weight (kg)	Volume (m <sup>3</sup> )
Grating Support Profile Length: 200 mm, Height: 26 mm, Width: 23 mm	03750	100 m 2m x 50	18,17	0,051

